

CURRENT TRANSFORMER

Model 785

Window Diameter 6.5"

Application:
Relaying and metering

Frequency:
50 - 400 Hz

Insulation Level:
600 Volts, 10 kv BIL full wave

Continuous Thermal Current Rating Factor:

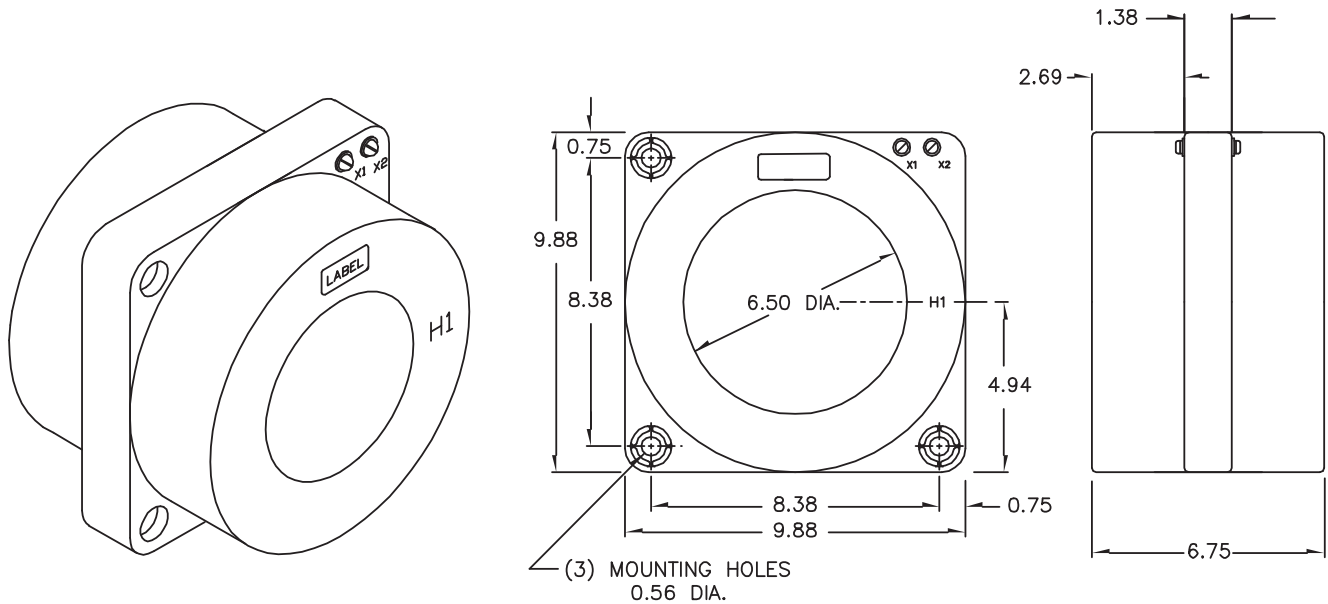
50:5 thru 1200:5 2.0 at 30°C amb., 1.5 at 55°C amb.
1500:5 thru 2500:5 1.5 at 30°C amb., 1.33 at 55°C amb.
3000:5 thru 4000:5 1.33 at 30°C amb., 1.0 at 55°C amb.

• Secondary terminals are No. 10 - 32 brass screws with one flatwasher, lockwasher and regular nut.

• Approximate weight: 58 lbs.



E228202



CATALOG NUMBER	CURRENT RATIO	RELAY CLASS	ANSI METERING CLASS AT 60 Hz				
			B0.1	B0.2	B0.5	B0.9	B1.8
785-500	50:5	C 10	2.4	4.8	-	-	-
785-750	75:5	C 20	1.2	1.2	2.4	-	-
785-101	100:5 *	C 20	0.6	1.2	2.4	-	-
785-151	150:5 *	C 50	0.6	0.6	1.2	2.4	-
785-201	200:5 *	C 50	0.3	0.3	0.6	1.2	2.4
785-251	250:5 *	C 50	0.3	0.3	0.6	1.2	2.4
785-301	300:5 *	C100	0.3	0.3	0.3	0.6	1.2
785-401	400:5 *	C100	0.3	0.3	0.3	0.6	1.2
785-501	500:5 *	C100	0.3	0.3	0.3	0.3	0.6
785-601	600:5 *	C200	0.3	0.3	0.3	0.3	0.6
785-751	750:5 *	C200	0.3	0.3	0.3	0.3	0.3
785-801	800:5 *	C200	0.3	0.3	0.3	0.3	0.3
785-102	1000:5 *	C200	0.3	0.3	0.3	0.3	0.3
785-122	1200:5 *	C400	0.3	0.3	0.3	0.3	0.3
785-152	1500:5 *	C400	0.3	0.3	0.3	0.3	0.3
785-162	1600:5 *	C400	0.3	0.3	0.3	0.3	0.3
785-202	2000:5 *	C400	0.3	0.3	0.3	0.3	0.3
785-252	2500:5 *	C400	0.3	0.3	0.3	0.3	0.3
785-302	3000:5 *	C400	0.3	0.3	0.3	0.3	0.3
785-402	4000:5 *	C400	0.3	0.3	0.3	0.3	0.3

Typical Excitation Curves - Model 785

